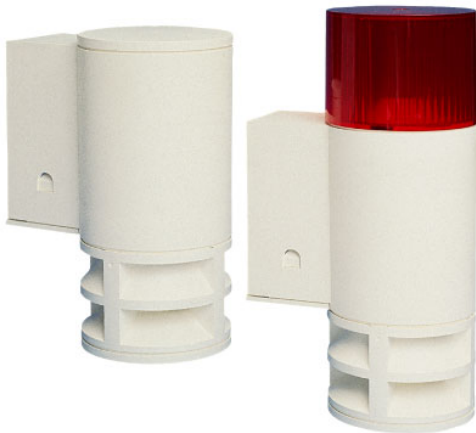




BES External Signaling Device, Audio/Visual



- ▶ Activation and control of the sound generator and the strobe light are monitored
- ▶ Tone variants (can be coded via bridges) for:
Hold-up/intrusion alarm
Emergency signal (fire alarm)
- ▶ Alarm time can be set
- ▶ Tamper contact
- ▶ Wall mounting
- ▶ Mast and corner mounting (optional)
- ▶ Tear-off contact (optional)

Bosch external signaling devices are signaling devices with an integrated sound generator for acoustic alarm and/or a red strobe light for visual alarm.

Functions

BES external signaling devices are primarily intended for monitoring the connection to intrusion systems.

Due to the different tone variants of the acoustics, BES can also be used in fire alarm systems.

The lift-off protection leads to a delay in dismantling and sets off the acoustic signaling device.

The special configuration of the emergency signal allows the level of audibility to be set at only 10 dB above the background level. In contrast, the level of warning signals must be 15 dB higher.

The number of acoustic alarms can be determined from this requirement.

Planning example:

Sound level	-110 dB
Audibility	-10 dB
Background level	-70 dB
Attenuation =	-30 dB

Certifications and Approvals

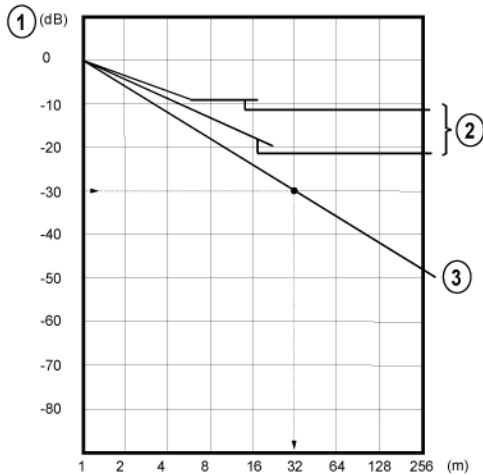
Country	Certification	BES audio/visual	BES audio
DE	VdS	G 197024, C	G 197023, C

Installation/Configuration Notes

The danger signal zone is split into warning and emergency signals.

DIN 33404, Parts 1 and 3 must be observed when planning for the fire alarm.

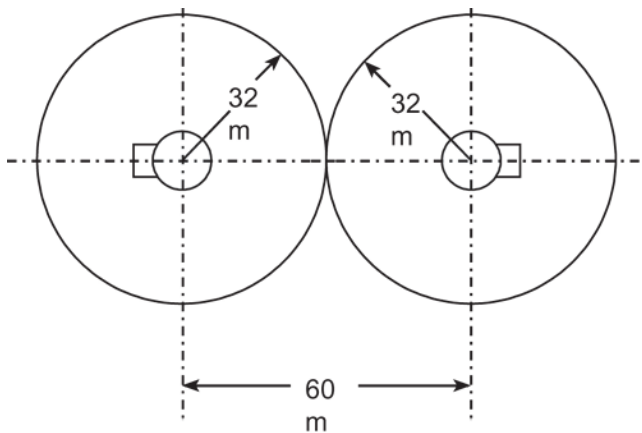
Sound pressure reduction diagram



- 1 Sound pressure reduction
- 2 Reduction in sound pressure with reflection dependent upon room size and echo time
- 3 Sound pressure reduction without reflection

The diagram (see above) indicates a distance of 32 m for this attenuation (-30 dB).

It is therefore recommended that an acoustic alarm be installed approximately every 60 m.



Parts Included

Type	Qty.	Component
BES audio/visual	1	External signaling device with optical display
BES audio	1	External signaling device

Technical Specifications

Sound level	min. 100 dB(A) at 1 m distance
Tone variants	<ul style="list-style-type: none"> • Hold-up/intrusion alarm Tone complies with VdS regulation 2300 • Emergency signal (fire alarm) Tone complies with EN54 Part 3 • Continuous tone Basic tone 1: 500 Hz ±5% Basic tone 2: 1200 Hz ±5%
Alarm time can be set	<ul style="list-style-type: none"> • Unlimited time via control panel 180 s • Max. time via signaling device 270 s
Operating voltage	<ul style="list-style-type: none"> • Flash lamp 10.5 V to 29 V/300 mA • Control of acoustics 12 V₋ (10.5 V to 14.5 V) or 24 V₋ (21 V to 29 V)
Voltage range	<ul style="list-style-type: none"> • 12 V₋ (pole reversal) 10.5 V₋/240 mA 14.5 V₋/330 mA • 24 V₋ (current gain) 21 V₋/380 mA (29 V₋/500 mA)
Ambient temperature	-25 °C to +65 °C (248 °K to 338 °K)
Protective system conforms to	<ul style="list-style-type: none"> • DIN 40050 IP 33 • DIN 40040 HUF
Housing	UV-resistant PVC
Material	Pure white, RAL 9010
Housing color	red, RAL 3001
Color of flash lamp cover	red, RAL 3001
Weight	<ul style="list-style-type: none"> • BES audio/visual Approx. 1.2 kg • BES audio Approx. 1 kg
Dimensions (H x W x D)	(300.5 x 110 x 165) mm

Ordering Information

BES external signaling device, audio/visual	3002102450
BES external signaling device, audio	3002102452

Europe, Middle East, Africa:
 Bosch Security Systems B.V.
 P.O. Box 80002
 5600 JB Eindhoven, The Netherlands
 Phone: + 31 40 2577 284
 Fax: +31 40 2577 330
 emea.securitysystems@bosch.com
 www.boschsecurity.com

Americas:
 Bosch Security Systems, Inc.
 130 Perinton Parkway
 Fairport, New York, 14450, USA
 Phone: +1 800 289 0096
 Fax: +1 585 223 9180
 security.sales@us.bosch.com
 www.boschsecurity.us

Asia-Pacific:
 Bosch Security Systems Pte Ltd
 38C Jalan Pemimpin
 Singapore 577180
 Phone: +65 6319 3450
 Fax: +65 6319 3499
 apr.securitysystems@bosch.com
 www.boschsecurity.com

Represented by