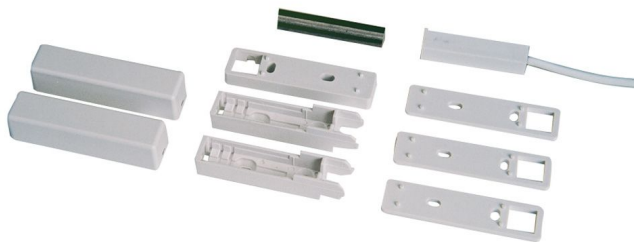




# MK 48 SZ surface-mount magnetic contact



- ▶ Conventional surface-mount magnetic contact
- ▶ VdS class C
- ▶ Parallel, built-in and surface-mount installation
- ▶ Conventional perimeter protection

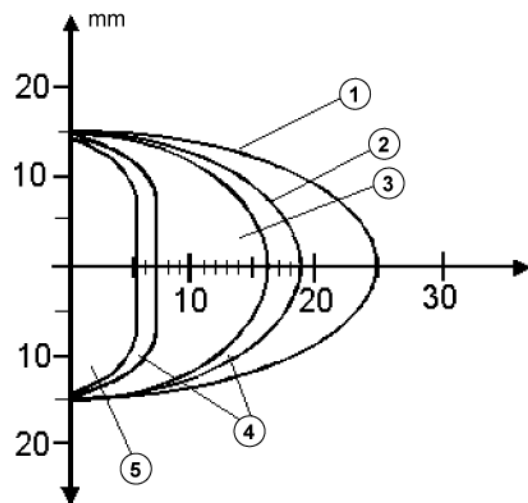
Conventional magnet contacts are used for tear-off surveillance of doors and windows.

## Certifications and Approvals

Country	Certification	MK 48 SZ
DE	VdS	G 191019, C

## Installation/Configuration Notes

Magnetic contact and magnet are mounted parallel to each other using the surface mount or installation housing. When inserting the contact housing, please ensure that the labeling stud on the face is pointing toward the magnet, regardless of the type of installation. The distance between the contact and the magnet must be between 7mm and 16 mm; 12 mm is preferred.

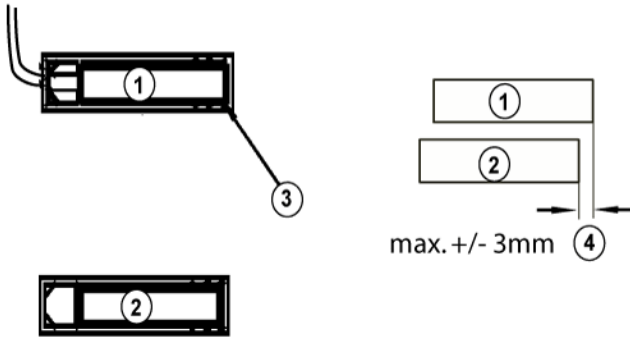


- 1 Extraction
- 2 Proximity switch part
- 3 Secure area
- 4 Tolerance
- 5 Tamper area

## Installation

Installation in **ferromagnetic materials** is not permissible.

Installation can be done optionally with or without plastic sleeves. If no plastic sleeve is used, the built in parts should be fixed in the holes.



- 1 Contact
- 2 Magnet
- 3 Stud
- 4 Axial installation offset

### Parts Included

Type	Qty.	Components
MK 48 SZ	1	Surface-mount magnetic contact Magnet (8 x 8 x 40 mm) incl. 2x surface mounting housing, 2 caps with 4 washer components

### Technical Specifications

Type of installation	Flush / built-in, parallel
Permitted operating voltage	max. 40 V
Contact type	1-pin (normally) open contact
Permitted contact load	6 VA max. 100 V max. 500 mA
Protective system	IP 67
VdS environmental class	IV
Permissible ambient temperature	- 25°C to + 70°C
Case	
• Material	ABS
• Color	White
Dimensions	
Contact	8 x 8 x 40 mm (WxHxL)
Magnet	8 x 40mm (Ø x L)
Connection cable	3.2 mm, 6 m long
Size of surface mounting housing	54x13x12,5 mm
cap	11 x 11.5 x 52 mm (WxHxL)
2x housing bases	2mm
3x washer components	6mm
1x washer component	

### Ordering Information

MK 48 SZ surface-mount magnetic contact	4998026045
---	------------

**Americas:**  
Bosch Security Systems  
130 Perinton Parkway  
Fairport, New York, 14450, USA  
Phone: +1 585 223 4060  
Fax: +1 800 289 0096  
security.sales@us.bosch.com  
www.boschsecurity.us

**Europe, Middle East, Africa:**  
Bosch Security Systems B.V.  
P.O. Box 80002  
5600 JB Eindhoven, The Netherlands  
Phone: +31 40 27 83955  
Fax: +31 40 27 86668  
emea.securitysystems@bosch.com  
www.boschsecurity.com

**Asia-Pacific:**  
Bosch Security Systems Pte Ltd  
38C Jalan Pemimpin  
Singapore 577180  
Phone: +65 6319 3450  
Fax: +65 6319 3499  
apr.securitysystems@bosch.com  
www.boschsecurity.com

**Represented by**