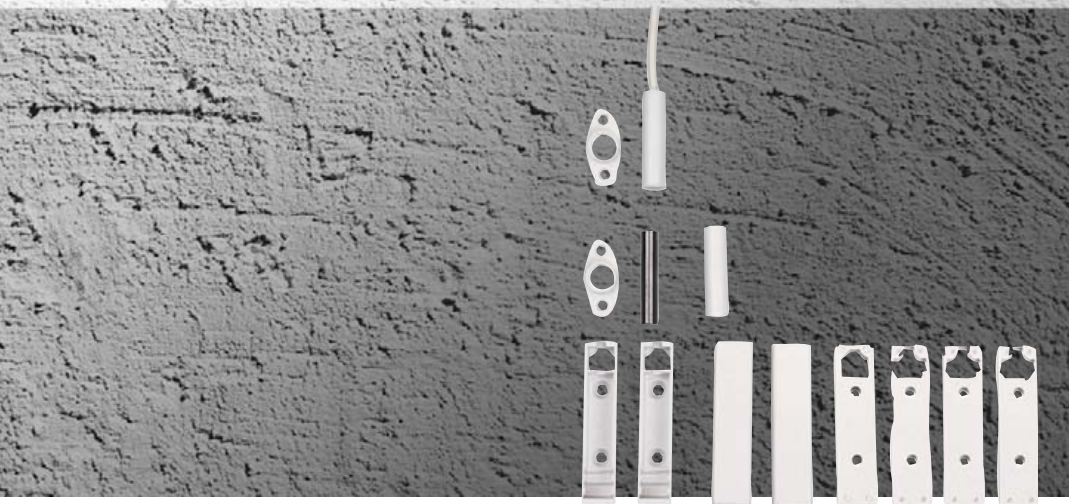


# EMK 36 AT LSN surface-mount magnetic contact



Security Systems



- LSN surface-mount magnetic contact
- VdS, class B
- Parallel installation
- LSN Perimeter protection

Magnetic contacts are used for tear-off surveillance of doors and windows.

### Parts Included

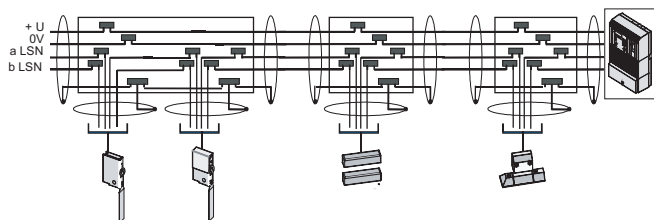
Qty.	Components
1	EMK 36 AT LSN Surface-mount magnetic contact incl. flange, sleeves, and surface-mounting housing with accessories

### Certificates and Approvals

VdS approval No.: G 101504, class B

### Installation/Configuration Notes

#### Connecting LSN contacts



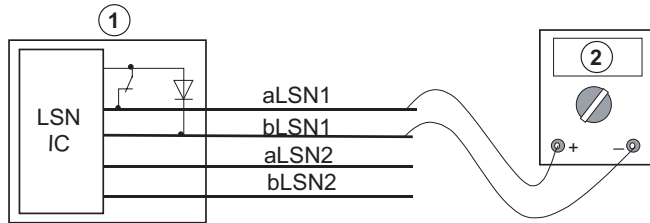
- Every LSN contact is a physical LSN element (1 out of 127 possible per loop).

- The length of LSN connection cables must be included when planning the total line length of the LSN loop since LSN technology is integrated into these detectors.
- Passive coupling elements for joining the connection cables to the installation cable must be placed as close as possible to the LSN contacts since 1m connection cable with 2m LSN cable length is included in the calculation of the LSN cable length (LSN is carried into the contacts and back out again).
- Connector boxes are classified as installation material.
- When using flush- and surface mount magnetic contacts, please be aware that installation in **ferromagnetic materials** is not permissible for either the contact or the magnets. LSN MSE-LSN B4w magnetic contacts in conjunction with EG1 and MSE-LSN C4w with EG2 are an exception to this. When using MSA-LSN B 4w and MSA-LSN C 4w surface mounting magnetic contacts, installation is carried out on ferromagnetic materials via the AG 4 surface mounting housing.

**Testing of LSN contacts**

Reed switch and microswitch functions can be checked before installation by a high-ohm multimeter or continuity checker (for diode paths).

The resistance values are rough values; a large change in resistance is significant here.



- 1 Detector
- 2 Multimeter:  
 Contact open: approx. 3 MOhm  
 Contact closed: approx. 1 MOhm

**Notice:** Only the intrusion contact can be checked in this way. The tamper contact of the Class C magnetic contact can currently only be checked by the LSN control panel.

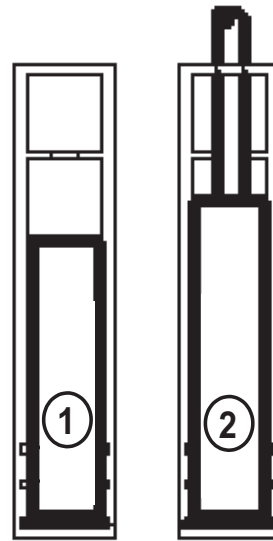
The contacts are generally installed in the door or window frames with the magnet in the window or the door. If the door or window is less than 1 cm open, the magnetic contact should not be able to detect this. An opening of more than 3 cm should be detected.

When used with VdS systems, the surface-mounting housing must be glued.

When used with metal frames, the plastic parts for underneath must be used.

**Installation in ferromagnetic materials is not permissible.**  
 EMK 36 AT LSN installation is parallel.

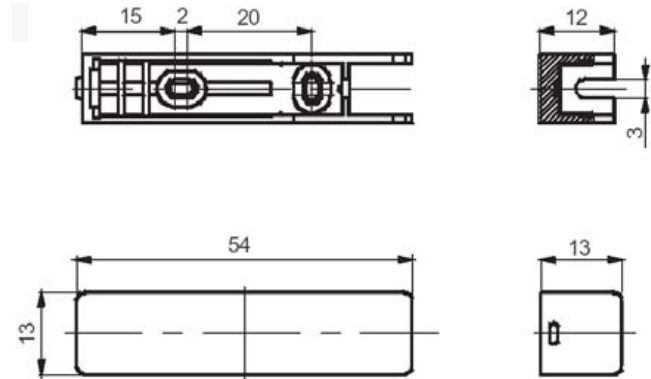
**Notes on installation**



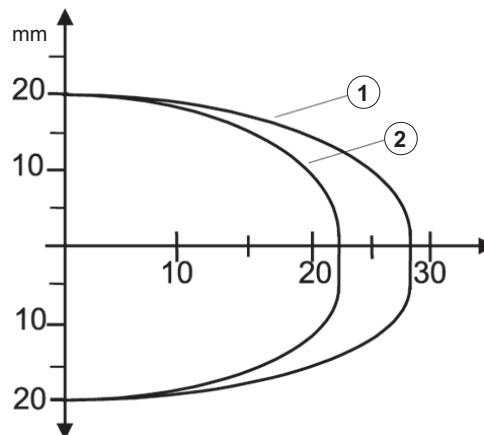
- 1 Magnet
- 2 Contact

**Surface-mounting housing**

Base / cap of housing



**Distances diagram (parallel surface-mounted installation)**



- 1 Extraction
- 2 Proximity

## Technical Specifications

EMK 36 AT LSN surface-mount magnetic contact	
Type of installation	Surface-mount, parallel
LSN Operating voltage	15V to 33V
- Current consumption	0.4 mA
Protective system	IP 67 VdS environmental class III
Permitted Ambient temperature	-25 °C...+70 °C 0°C - 40°C
Housing	
Material	ABS
Color	White
Dimensions	
Contact	8 x 35 mm (ØxL)
Magnet	8 x 20 mm (ØxL)
Plastic sleeve	8 x 31 mm (ØxL)
Surface-mounting housing	54x13x12.5 mm
Connection cable	Ø 3.2 mm, 4 m long
Wire colors	aLSN1 : white bLSN1 : brown aLSN2 : white bLSN2 : yellow

## Ordering Information

EMK 36 AT LSN surface-mount magnetic contact	4.998.014.062
--	---------------

Bosch Security Systems

For more information please visit  
[www.boschsecuritysystems.com](http://www.boschsecuritysystems.com)

**BOSCH**