



MSA-LZS surface-mount magnetic contact



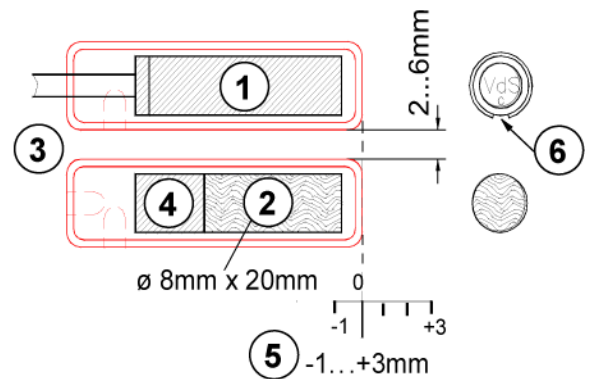
- ▶ Conventional surface-mount magnetic contact
- ▶ VdS class C
- ▶ Head-on or parallel installation
- ▶ Conventional perimeter protection

Conventional magnet contacts are used for tear-off surveillance of doors and windows.

Certifications and Approvals

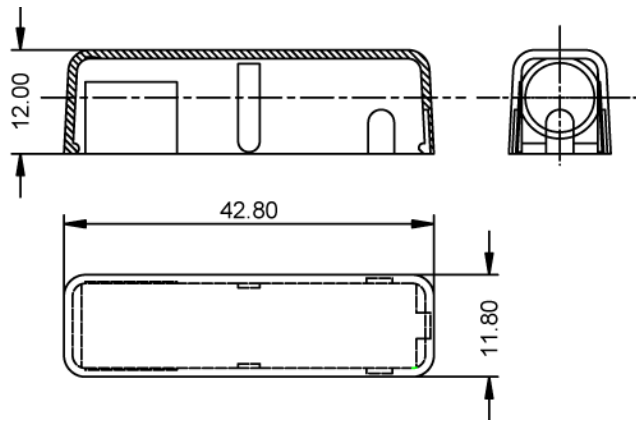
Country	Certification	MSA-LZS
DE	VdS	G 191100, C

Installation/Configuration Notes

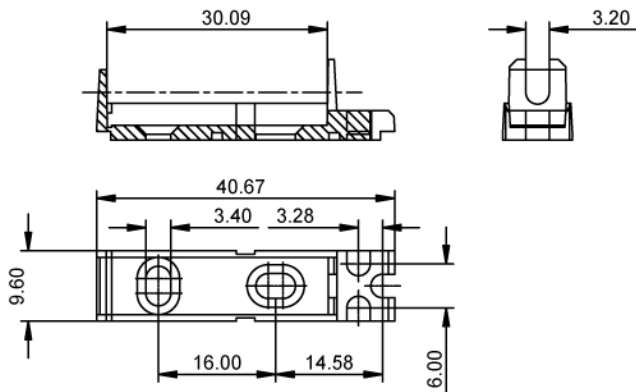


- 1 Contact
- 2 Magnet
- 3 AG4 surface mounting housing
- 4 Plastic part
- 5 Warning! The adjustment mark must point to the magnet.

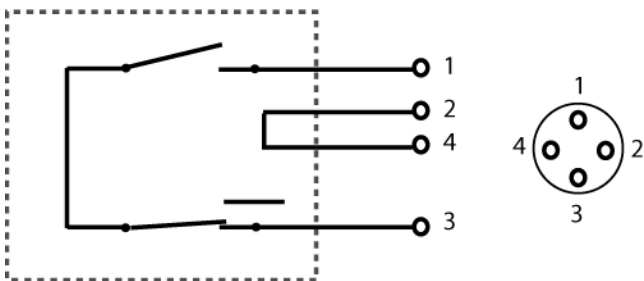
AG4 - top part



AG4 - base



Circuit diagram:



Technical Specifications

Type of installation	Built in, parallel or head-on
Contact	Open contact / toggle switch
Permitted contact load	≤ 3 Watt
Over threshold current	10A...100mA
Over threshold voltage max.	≤ 30 V ₋
Switch tolerance	≥ 10
Magnet	AlNiCo 500
Switch dimension	43 x 12 x 12 (mm)
Magnet dimension	Ø8mmx20mm
Installation distance with parallel installation	2...6mm
Temperature range	-25°C to 70°C
Connection cable	6m, LiYY 4x0,14mm
Protective system	IP68

Ordering Information

MSA-LZS surface-mount magnetic contact 4998133931

Parts Included

Type	Qty.	Components
MSA-LZS	1	Surface-mount magnetic contact with magnet, incl. 6m cable and surface mounting housing AG4 with accessories

Americas:
 Bosch Security Systems
 130 Perinton Parkway
 Fairport, New York, 14450, USA
 Phone: +1 585 223 4060
 Fax: +1 800 289 0096
 security.sales@us.bosch.com
 www.boschsecurity.us

Europe, Middle East, Africa:
 Bosch Security Systems B.V.
 P.O. Box 80002
 5600 JB Eindhoven, The Netherlands
 Phone: +31 40 27 83955
 Fax: +31 40 27 86668
 emea.securitysystems@bosch.com
 www.boschsecurity.com

Asia-Pacific:
 Bosch Security Systems Pte Ltd
 38C Jalan Pemimpin
 Singapore 577180
 Phone: +65 6319 3450
 Fax: +65 6319 3499
 apr.securitysystems@bosch.com
 www.boschsecurity.com

Represented by