



# FMC-210-DM Manual call points



- ▶ **Adjustment of the manual call point after alarm triggering**
- ▶ **Automatic or manual detector addressing via rotary switch possible**
- ▶ **Indicator LED for alarm or for inspection evaluation**
- ▶ **Call point query routines with evaluation and multiple transmission**
- ▶ **Individual call point identification**

The FMC-210-DM Manual call points are used to trigger the alarm manually, and are deployed in the Local SecurityNetwork LSN and LSN improved. Form H manual call points are designed for outdoor deployment, form G manual call points are designed for indoor deployment.

Individual call point identification with display of the call point address on the fire panel ensures the quick location of the triggered call point.

### Variants

The designs of the manual call points for outdoor and indoor use are identical. The manual call points for indoor use (form G) are available in red, blue, and yellow; the manual call points for outdoor use (form H) are available in red and blue.

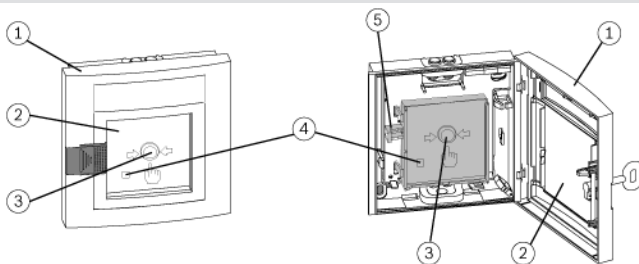
Form H manual call points are equipped with an especially resistant PC board layered with parylene.

### Improved LSN features

The manual call points offer all the features of the improved LSN technology:

- Flexible network structures, including "T-taping" without additional elements
- Up to 254 LSN improved elements per loop or stub line
- Automatic or manual detector addressing selectable via rotary switch, in each case with or without auto-detection
- Power supply for connected elements via LSN bus up to 300 mA
- Shielded and unshielded cables can be used
- Cable length up to 1000 m
- Downwards compatibility to existing LSN systems and control panels.

### Functions



In the event of an alarm, the glass pane (2) is broken first, then the manual call point (3) is pressed hard. This activates the microswitch for alarm triggering and the indicator LED (4) blinks. A mechanism holds the pressed call point down. The manual call point can be reset with the reset lever (5) or by closing the door of the manual call point (1). The indicator LED (4) goes out.

This does not reset the alarm on the fire panel.

**Certifications and Approvals**

CE conform

VdS approval number

FMC-210-DM-G-R: **G 206 098**

FMC-210-DM-H-R: **G 206 098**

FMC-210-DM-G-Y: **G 206 099**

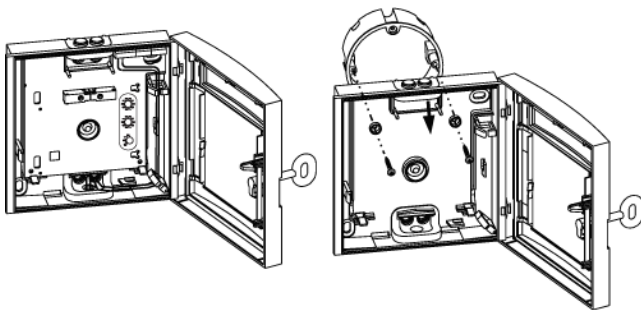
FMC-210-EST-G-B: **G 206 100**

**Installation/Configuration Notes**

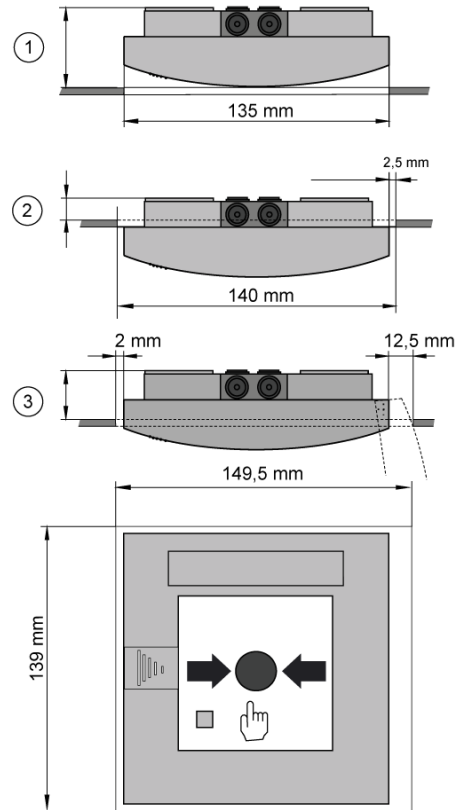
- Manual call points must be mounted visibly along escape and rescue routes (e.g. exits, passageways, stairwells) and be easily accessible.
- An installation height of 1400 mm ±200 mm, measured from the middle of the manual call point to the floor, must be maintained.
- Manual call points must be adequately illuminated by sunlight or another light source (including emergency lighting if present).
- The maximum number of LSN elements (LSN interfaces and LSN call points) that may be connected depends on their current consumption from the LSN data line. The limit values should be taken from the product information supplied with the fire panel used.
- Additional norms, guidelines, and planning recommendations with respect to installation location, etc. must be taken into account (see fire detector manual).
- The regulations of the local fire services must be observed.

**Installation**

- The cable duct can be surface-mounted or flush-mounted.



- Installation in fire hose cabinets is possible in three ways:



Pos.	Description
1	Installation depth version 1: ca. 40 mm
2	Installation depth version 2: 14 mm
3	Installation depth version 3: min. 30 mm

**Technical Specifications**

**Electrical**

Operating voltage	24 VDC (15 VDC . . . 33 VDC)
Current consumption	0.4 mA

**Mechanics**

Dimensions (W x H x D)	135 x 135 x 40 mm / 5.31 x 5.31 x 1.5 in.
Housing material	Plastic, ASA
Colors	Red, RAL 3001 Blue, RAL 5005 Yellow, RAL 1003
Weight	Approx. 235 g

**Environmental Considerations**

Protection category as per EN 60529

Form H (outdoor use)	IP 54
Form G (indoor use)	IP 52

Norm

FMC-210-DM-G-R, FMC-210-DM-H-R	EN 54-11
FMC-210-DM-G-Y, FMC-210-EST-G-B	EN 12094-3
Permissible operating temperature	
Form H (outdoor use)	-25 °C ... +70 °C / -13 °F ... 158 °F
Form G (indoor use)	-10 °C ... +55 °C / 14 °F ... 131 °F

### Ordering Information

<b>FMC-210-DM-G-R Form G red</b> For manually triggering the alarm in the Local SecurityNetwork LSN and LSN improved, form H for outdoor areas, form G for indoor areas Manual call point for indoor use, indirect triggering (type B)	<b>FMC-210-DM-G-R</b>
<b>FMC-210-DM-H-R Form H red</b> For manually triggering the alarm in the Local SecurityNetwork LSN and LSN improved, form H for outdoor areas, form G for indoor areas Manual call point for outdoor use, indirect triggering (type B)	<b>FMC-210-DM-H-R</b>
<b>FMC-210-DM-G-B Form G blue</b> For manually triggering the alarm in the Local SecurityNetwork LSN and LSN improved, form H for outdoor areas, form G for indoor areas Manual call point for indoor use, indirect triggering (type B)	<b>FMC-210-DM-G-B</b>
<b>FMC-210-DM-H-B Form H blue</b> For manually triggering the alarm in the Local SecurityNetwork LSN and LSN improved, form H for outdoor areas, form G for indoor areas Manual call point for outdoor use, indirect triggering (type B)	<b>FMC-210-DM-H-B</b>
<b>FMC-210-DM-G-Y Form G yellow</b> For manually triggering the alarm in the Local SecurityNetwork LSN and LSN improved, form H for outdoor areas, form G for indoor areas Manual call point for indoor use, indirect triggering (type B)	<b>FMC-210-DM-G-Y</b>
<b>FMC-210-EST-G-B Form G blue</b> For manually triggering the alarm in the Local SecurityNetwork LSN and LSN improved, form H for outdoor areas, form G for indoor areas Electronic stop device for indoor use, indirect triggering (type B)	<b>FMC-210-EST-G-B</b>

### Ordering Information

#### Accessories

<b>FMX-FSO-LSN 10 Punched, self-adhesive foil sets (blank)</b> For the labeling field of manual call points of the series FMC-210. 1 unit = 10 sheets	<b>FMX-FSO-LSN</b>
<b>FMC-FST-DE 5 Printed labeling foils for the upper label field</b> For yellow and blue manual call points of series FMC-120 and FMC-210. 1 unit = 5 sheets	<b>FMC-FST-DE</b>
<b>FMC-SPGL-DEIL 5 Spare glasses</b> For manual call points of series DM, DKM, SKM, FMC-120 and FMC-210. 1 unit = 5 spare glasses	<b>FMC-SPGL-DEIL</b>
<b>Key for fire detectors types G and H</b> made of red plastic (ASA)	<b>FMM-KEY-Form G/H</b>
<b>Sign with label "Nicht in Betrieb"</b> Metal sign for fire detectors form G or H	<b>FMM-SIGN</b>

**Europe, Middle East, Africa:**  
Bosch Security Systems B.V.  
P.O. Box 80002  
5600 JB Eindhoven, The Netherlands  
Phone: +31 40 2577 284  
Fax: +31 40 2577 330  
emea.securitysystems@bosch.com  
www.boschsecurity.com

**Americas:**  
Bosch Security Systems, Inc.  
130 Perinton Parkway  
Fairport, New York, 14450, USA  
Phone: +1 800 289 0096  
Fax: +1 585 223 9180  
security.sales@us.bosch.com  
www.boschsecurity.us

**Asia-Pacific:**  
Bosch Security Systems Pte Ltd  
38C Jalan Pemimpin  
Singapore 577180  
Phone: +65 6319 3450  
Fax: +65 6319 3499  
apr.securitysystems@bosch.com  
www.boschsecurity.com

#### Represented by