



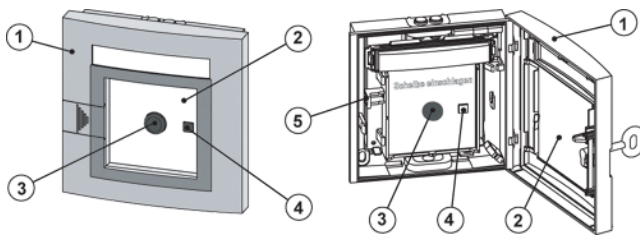
SM 210 LSN Single action call point



- ▶ Alarm triggering by breaking of the glass pane
- ▶ Variable labeling possible with foil sets
- ▶ Indicator LED for alarm or for inspection evaluation
- ▶ Call point query routines with evaluation and multiple transmission
- ▶ Individual call point identification

Single action call points SM 210 LSN are used to trigger the alarm manually, and are deployed in the Local SecurityNetwork LSN. Form H single action call points are designed for outdoor deployment, form G single action call points are designed for indoor deployment.

Functions



With single action call points, the alarm is triggered when the glass plate (2) is broken and the button (3) springs up.

This activates the microswitch for alarm triggering and the indicator LED (4) blinks.

The call point (3) can be reset after inserting a new glass pane (2) and closing the door of the single action call point (1). The indicator LED (4) goes out.

This does not reset the alarm on the fire panel.

Individual call point identification with display of the call point address on the fire panel ensures the quick location of the triggered call point.

Variants

The designs of the single action call points for exterior areas (form H) and interior areas (form G) are identical. Two color variants, red and blue, are available. Single action call points for outdoor use (form H) are equipped with an especially resistant circuit board with parylene layering.

Certifications and Approvals

VdS - approval number **G 202 020**
 ATEX certification: **PTB 01 ATEX 2163X**

Installation/Configuration Notes

- Single action call points must be mounted visibly along escape and rescue routes (e.g. exits, passageways, stairwells) and be easily accessible.
- An installation height of 1400 mm \pm 200 mm, measured from the middle of the manual call point to the floor, must be maintained.
- Single action call points must be adequately illuminated by sunlight or another light source (including emergency lighting if present).

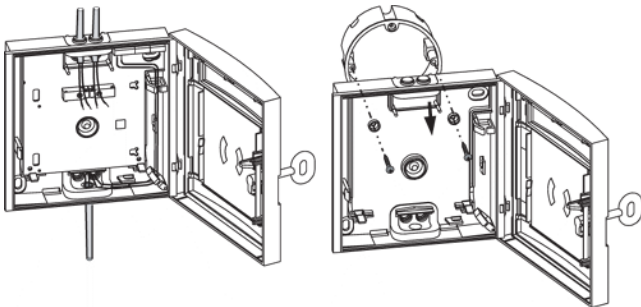
- The maximum number of LSN elements (LSN interfaces and LSN call points) that may be connected depends on their current consumption from the LSN data line. The limit values should be taken from the product information supplied with the fire panel used.
- Further standards, guidelines and planning recommendations regarding the installation location etc., should also be taken into consideration (see Fire Detection manual).
- The regulations of the local fire services must be observed.

Installation notes in accordance with VdS/VDE

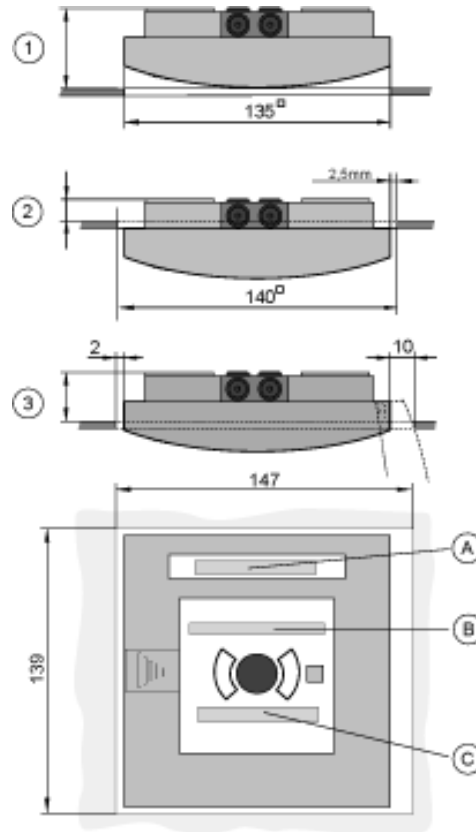
- The distance between single action call points should not be more than 100 m according to DIN 14 675 or 80 m according to VdS.
- In high risk areas, single action call points should be installed at a distance of max. 40 m (VDE 0833 Part 2, Point 7.2.6).

Installation

- The cable duct can be surface-mounted or flush-mounted.



- Installation in fire hose cabinets is possible in three ways:



Pos.	Description
1	Installation depth version 1: min. 37 mm
2	Installation depth version 2: 14 mm
3	Installation depth version 3: approx. 30 mm
A	"Fire department"
B	"Break glass"

Parts Included

Type of device	Qty.	components
SM 210 LSN, type H, 1 red	1	Single action call point, housing color red, circuit board coated with Parylene, call point door with seal
SM 210 LSN, type H, 1 blue	1	Single action call point, housing color blue, circuit board coated with Parylene, call point door with seal
SM 210 LSN, type G, 1 red	1	Single action call point, red housing,
SM 210 LSN, type G, 1 blue	1	Single action call point, blue housing

Note Standard labeling in Dutch other labeling possible with universal foil set.

Technical Specifications

Electrical

Operating voltage	10 VDC . . . 33 VDC
Current consumption	0.4 mA

Mechanics

Dimensions (H x W x D)	135 x 135 x 36 mm
Housing material	Plastic, ASA
Colors	<ul style="list-style-type: none"> • Red, RAL 3001 • Blue, RAL 5005
Weight	Approx. 400 g

Environmental Considerations

EN 60529 protection category

- Type G (indoor use) IP 52
- Type H (outdoor use) IP 54

EN 54 T2 protection category

- Type G (indoor use) II
- Type H (outdoor use) III

Permissible operating temperature

- Type G (indoor use) -10 °C . . . +55 °
- Type H (outdoor use) -25 °C . . . +70 °C

Ordering Information

SM 210 LSN, Type H, red Single action call point for exterior use	SM210 Form-H red
SM 210 LSN, Type H, blue Single action call point for exterior use	SM210 Form-H blue
SM 210 LSN, Type G, red Single action call point for exterior use	SM210 Form-G red
SM 210 LSN, Type G, blue Single action call point for exterior use	SM210 Form-G blue

Hardware Accessories

Punched, self-adhesive foil sets (blank), for operating DKM120-LABEL panel and labeling field

10 units, for DM / DKM / SM / SKM, for individual printing

Multi-purpose labelling foils for the upper label field
5 units DKM-LABELS

Spare glass pane (PU = 5 pieces)
For fire detectors form G, H and K DKM-SPARE-GLASS

Sign with label "Nicht in Betrieb"
Metal sign for fire detectors form G or H FMM-SIGN

Key for fire detectors types G and H
made of red plastic (ASA) FMM-KEY-Form G/H

Americas:
Bosch Security Systems
130 Perinton Parkway
Fairport, New York, 14450, USA
Phone: +1 585 223 4060
Fax: +1 800 289 0096
security.sales@us.bosch.com
www.boschsecurity.us

Europe, Middle East, Africa:
Bosch Security Systems B.V.
P.O. Box 80002
5600 JB Eindhoven, The Netherlands
Phone: +31 (0) 40 27 83955
Fax: +31 (0) 40 27 86668
emea.securitysystems@bosch.com
www.boschsecurity.com

Asia-Pacific:
Bosch Security Systems Pte Ltd
38C Jalan Pemimpin
Singapore 577180
Phone: +65 6319 3450
Fax: +65 6319 3499
apr.securitysystems@bosch.com
www.boschsecurity.com

Represented by