



EMK 46 SZ Built-in magnetic contact



- ▶ Conventional built-in magnetic contact
- ▶ VdS class C
- ▶ Head-on or parallel installation
- ▶ Conventional perimeter protection

Conventional magnet contacts are used for tear-off surveillance of doors and windows.

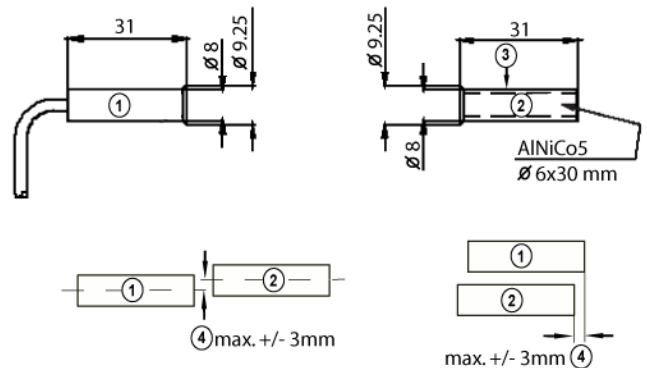
Certifications and Approvals

Country	Certification	EMK 46 SZ
DE	VdS	G 196041, C

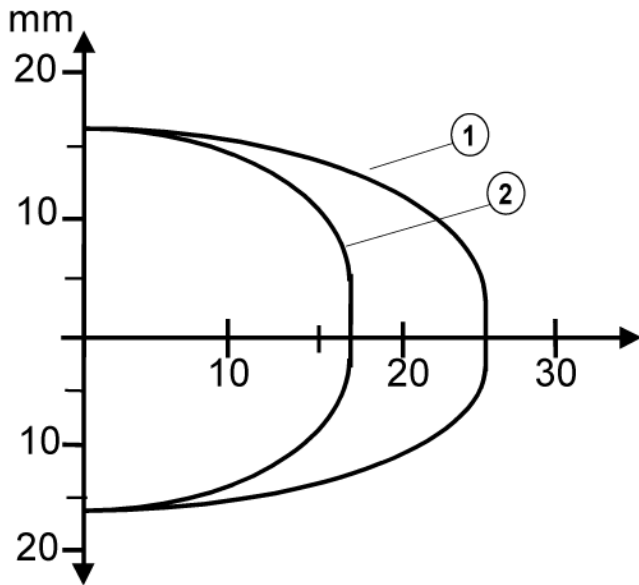
Installation/Configuration Notes

Magnetic contact and magnet are mounted parallel or head-on to each other. Installation can be done optionally with or without plastic sleeves. If no plastic sleeve is used, the built in parts should be fixed in the holes.

Installation in ferromagnetic materials is not permissible



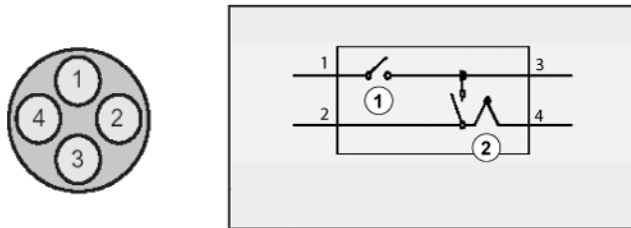
- 1 Contact
- 2 Magnet
- 3 Sleeve
- 4 Installation offset



- 1 Extraction
- 2 Proximity switch part

Connection cable/terminal strip

The supply lines need to be measured electrically before connection.



- 1 Switch part
- 2 Tamper protection

Parts Included

Type	Qty.	Components
EMK 46 SZ	1	Built in magnetic contact incl. flange and sleeves

Technical Specifications

Type of installation	Installation, head-on or parallel
Permitted operating voltage	max. 40 V ₋
Contact type	1-pin open contact
Permitted contact load	6 VA max. 100 V ₋ max. 500 mA
Protective system	IP 67 VdS environmental class IV
Permissible ambient temperature	- 25° C to + 70° C
Case	
• Material	ABS
• Color	White
Dimensions	
• Contact	8 x 32 mm (Ø x L)
• Magnet	6 x 30 mm (Ø x L)
• Plastic sleeve for magnet	8 x 31 mm (Ø x L)
• Connection cable	3.2 mm, 6 m long

Ordering Information

EMK 46 SZ Built-in magnetic contact 4998026300

Americas:
 Bosch Security Systems
 130 Perinton Parkway
 Fairport, New York, 14450, USA
 Phone: +1 585 223 4060
 Fax: +1 800 289 0096
 security.sales@us.bosch.com
 www.boschsecurity.us

Europe, Middle East, Africa:
 Bosch Security Systems B.V.
 P.O. Box 80002
 5600 JB Eindhoven, The Netherlands
 Phone: +31 40 27 83955
 Fax: +31 40 27 86668
 emea.securitysystems@bosch.com
 www.boschsecurity.com

Asia-Pacific:
 Bosch Security Systems Pte Ltd
 38C Jalan Pemimpin
 Singapore 577180
 Phone: +65 6319 3450
 Fax: +65 6319 3499
 apr.securitysystems@bosch.com
 www.boschsecurity.com

Represented by